

PALFINGER

LIFETIME EXCELLENCE

P 570
JUMBO CLASS NX



TECHNICAL SPECIFICATIONS

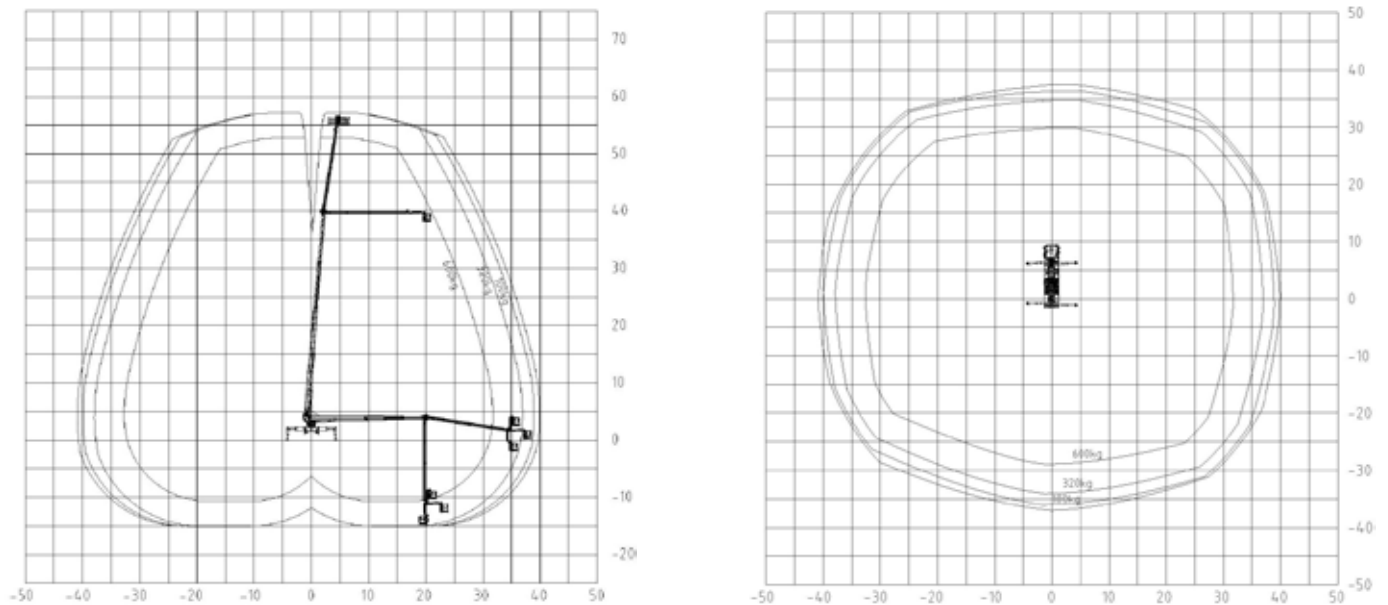
Max. working height	57 m
Max cage bottom height	55 m
Max. outreach to the side*	41 m
Max. outreach*	41 m
Angle of main boom	540°
Rotation angle of cage	2 x 200°
Rotation angle of cage boom	240°
Max. cage load	600 kg
Size of cage	3,81 x 1,04 x 1,1 m
Permissible inclination of platform	1°
Height in transportposition*	3,9 m
Width in transportposition	2,51 m
Overall length	11,9 m
Wheelbase*	5,1 m
Total weight*	25850 kg

* Depends on truck chassis

STANDARD EQUIPMENT

Reversing camera
Home function
Automated positioning system
Telescopic cage
Driver information system
Safety plates
230 V CEE current supply with CEE socket in the workman cage
Assistance systems
Lubrication system lower arms

WORKING DIAGRAMS



A possible 2% tolerance is contingent on structural components

DIMENSIONS

